

# Model SR Saddleback Bicycle Rack



**Model SRP/G-5 Surface Mount Saddleback Bike Rack with Hot Dip Galvanized finish and Standard Cover Caps. Hold 5 bikes**

- Six sizes available to hold three to thirteen bikes
- Model for embedded or surface mount installation
- Heavy 2-3/8" OD Schl. 40 steel pipe
- Hot-dip galvanized after fabrication for superior corrosion resistance
- Works with any bike, any security device

## AVAILABLE OPTIONS

Models to hold 3 ,5 ,7 ,9 ,11, or 13 bikes

Anchor Kit

Choice of colors of Powder Coat Finish

Cover Caps for Model SRE bike rack

## SPECIFICATIONS:

- **Model SR** Saddleback bike rack is constructed from 2-3/8" dia. Schedule 40 steel pipe with 6" inside radius die-formed bends creating an inverted "U" shape providing a rack for securing from three to thirteen bicycles.
- **Model SR** bike rack is designed to have an overall height of 36", overall width will vary by model.
- Bike rack is hot-dip galvanized after fabrication to ASTM-A123 to maintain an average zinc coating of 2.0 oz. per sq. ft. of surface area (indicated by "/G" in model no., e.g. SRE/G-3).
- **Two Installation Choices:**
  - **Embedded:** The vertical legs of the **Model SRE** bike rack are embedded 9-3/4" into concrete footings. A 9/16" dia hole through each leg is provided for insertion of a 1/2" rod (not included) to additionally secure the rack in the footings.
  - **Optional:** 2-part aluminum cover caps are available for the **Model SRE** bike rack. Order part no. CC-1 for each post. Color will match bike rack finish.
  - **Surface Mount:** The vertical legs of the **Model SRP** bike rack include flanges with two 9/16" dia. holes for 3/8" anchor bolts (not included) for surface mount applications.
  - **Standard:** 2-part aluminum cover caps are included with **Model SRP/G** bike racks to cover anchors for safety and appearance. Color will match bike rack finish.
  - **Optional:** A choice of powder coat colors is available. For color choices see Specification Bulletin #SPC-CO-001.
  - **Optional: Model ANC3-4** anchor kit, a set of four 3/8" dia. x 3" heavy duty screw anchors for concrete surface mounting of Models SRP-3 thru SRP-11, **Model ANC3-6** anchor kit, a set of six 3/8" dia. x 3" heavy duty screw anchors for SRP-13 (order as an additional item).

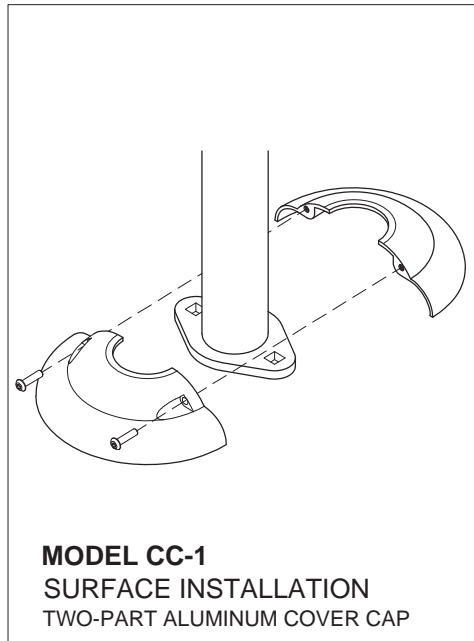
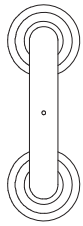
<b># of Bikes</b>	<b>3</b>	<b>5</b>	<b>7</b>	<b>9</b>	<b>11</b>	<b>13</b>
<b>Length (nom.)</b>	<b>14"</b>	<b>38"</b>	<b>62"</b>	<b>86"</b>	<b>110"</b>	<b>134"</b>
<b>Embedded Models</b>	<b>SRE/G-3</b>	<b>SRE/G-5</b>	<b>SRE/G-7</b>	<b>SRE/G-9</b>	<b>SRE/G-11</b>	<b>SRE/G-13</b>
<b>Base Plate Models</b>	<b>SRP/G-3</b>	<b>SRP/G-5</b>	<b>SRP/G-7</b>	<b>SRP/G-9</b>	<b>SRP/G-11</b>	<b>SRP/G-13</b>

Note: Saddleback Bicycle Racks feature a nominal 12" center to center between loops. Listed lengths are nominal and may vary due to bending tolerances.

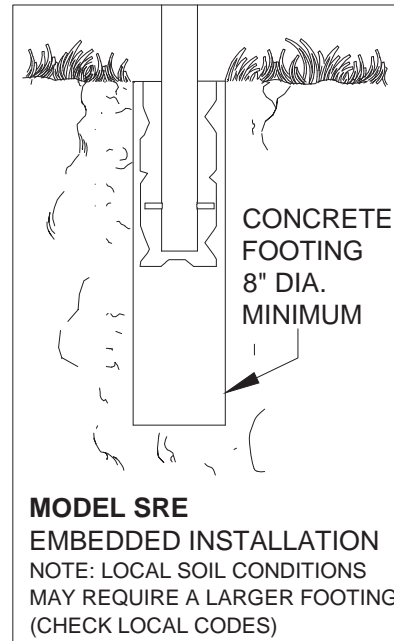
## RJ Thomas Mfg. Co., Inc.

PO Box 946 • Cherokee, IA 51012-0946 • PH: 712-225-5115 • 800-762-5002 • FAX: 712-225-5796  
 E-mail: pilotrock@rjthomas.com • Web Site: <http://www.pilotrock.com>

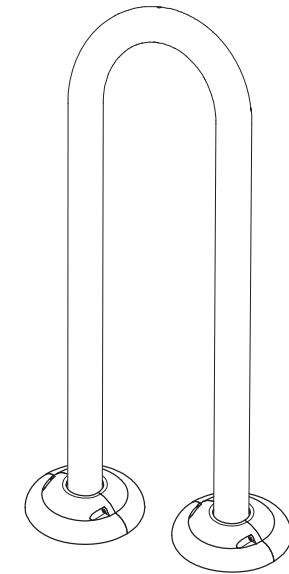
© 2017 RJ Thomas Mfg. Co., Inc. PILOT ROCK® Park Products is a registered trademark of RJ Thomas Mfg. Co., Inc.



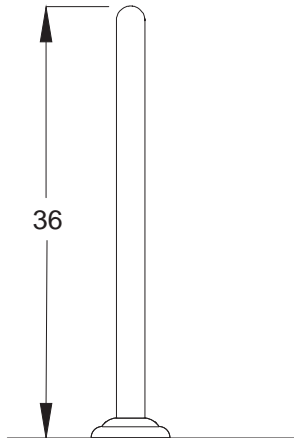
**MODEL CC-1**  
SURFACE INSTALLATION  
TWO-PART ALUMINUM COVER CAP



**MODEL SRE**  
EMBEDDED INSTALLATION  
NOTE: LOCAL SOIL CONDITIONS  
MAY REQUIRE A LARGER FOOTING  
(CHECK LOCAL CODES)

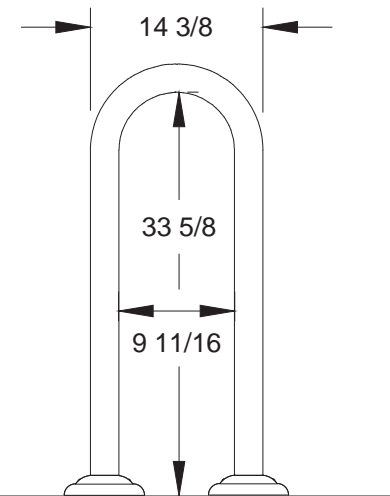
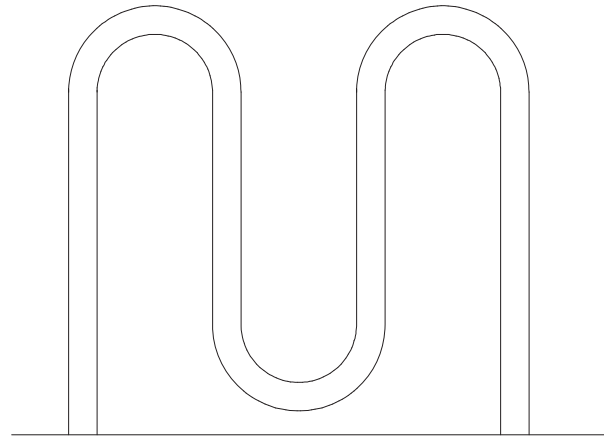


**MODEL SRP-3**



36

**MODEL SRE-5**



14 3/8

33 5/8

9 11/16

ALL DIMENSIONS IN INCHES

ALL DIMENSIONS IN INCHES

**RJThomas Mfg. Co., Inc.**  
P.O. Box 946 • Cherokee, IA 51012-0946

DRAWN BY  
**WWM**

TITLE SR SERIES SADDLEBACK BIKE RACK

DATE 12-02-15

DWG. NO. **AI-1805**